

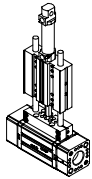
# PNEUMATIC HEAVY DUTY GRIPPERS

## 2-Jaw Heavy-Duty Parallel Grippers | DIRECTCONNECT™ Mounting Compatibility Chart

### Modular DIRECTCONNECT Mounting Style Examples:

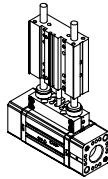
Products can be mounted in multiple positions. Refer to datasheet for complete info.

#### Slide to Gripper



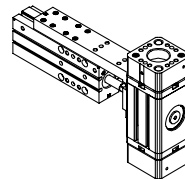
**DLT Thruster Slide to DPW Parallel Gripper**

#### Slide to Gripper



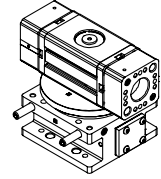
**DLT Thruster Slide to DPW Parallel Gripper**

#### Slide to Gripper



**DLM Thruster Slide to DPW Parallel Gripper**

#### Rotary to Gripper



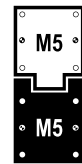
**DRF Rotary Actuator to DPW Parallel Gripper**

## DIRECTCONNECT™ Mounting Compatibility Chart

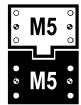
DESTACO's DIRECTCONNECT™ technology, allows all components of the system—grippers, rotaries and slides—to be mounted together directly. Look for matching icons on product datasheets for mounting compatibility.

**Note:** The numbers in the cell represent the metric screw size and basic mounting pattern.

S=Square, R=Rectangle. ie; 5S = M5 Screw with square mounting pattern.



**5S**



**5R**

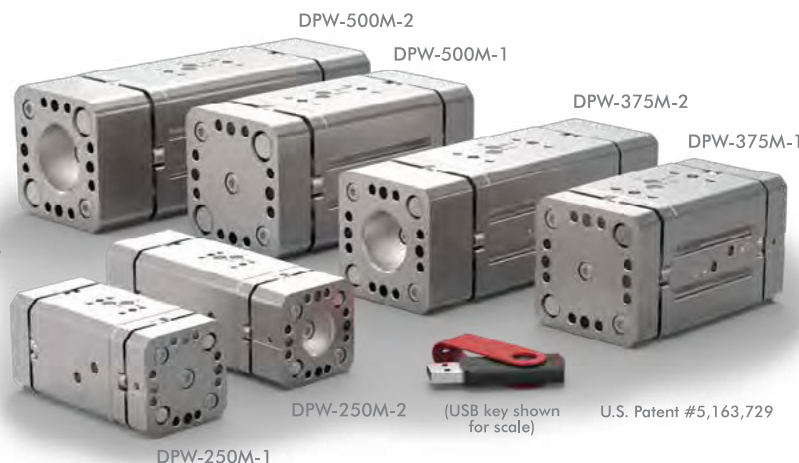
Catalog Models		Grippers	
		DPW-250	DPW-375, 500
Base Slides	DLB-06,08	3R	
	DLB-10,12,16		5R
	DLB-20,25		
Thruster Slides	DLT-06,08	3R	
	DLT-10,12,16	3R	5R
	DLT-20,25		5R
	DLM-07	3R	
	DLM-9,12	3R	5R
Rotary Actuators	DRF-075,094	3R	5R
	DRF-106	3R	5R
	DRF-131		5R

# DPW SERIES

## 2-Jaw Heavy-Duty Parallel Grippers | Features and Benefits | How To Order

### Features:

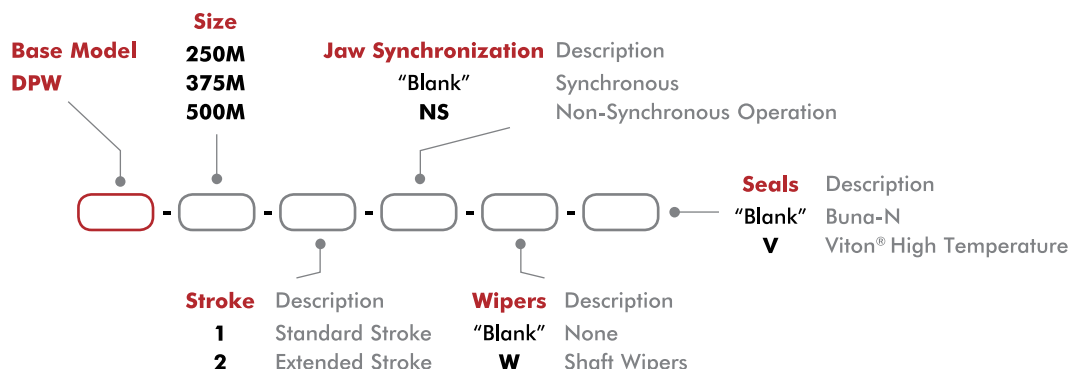
- Robust wide body gripper with DIRECTCONNECT mounting
- Grip force ranges from 222N thru 800N
- Strokes range from 19mm thru 63.5mm
- Rack and pinion design for smooth operation
- Jaws well supported to grip large and wide parts
- Multiple air ports where top ports can be manifolded
- Shaft wiper seals for harsh environments
- Optional non-synchronous jaw operation



### Applications:

- Wide part gripping
- Gantry systems
- Harsh gripping environment
- Long finger applications

### How To Order



### Accessories

Sensor Accessories	Model Numbers	Part Number	Qty/Unit
PNP Magneto Resistive Sensor Short Barrel (with Qk. Disc.)*	All Models	OHSP-017	1-4†
NPN Magneto Resistive Sensor Short Barrel (with Qk. Disc.)*	All Models	OHSN-017	1-4†
PNP Magneto Resistive Sensor 90° Barrel (with Qk. Disc.)*	All Models	OHSP-011	1-4†
NPN Magneto Resistive Sensor 90° Barrel (with Qk. Disc.)*	All Models	OHSN-011	1-4†
PNP Inductive Sensor 3mm with Quick Disconnect*	All Models	OISP-019	1-2
NPN Inductive Sensor 3mm with Quick Disconnect.*	All Models	OISN-019	1-2
PNP Inductive Sensor 4mm with Quick Disconnect*	375M, 500M	OISP-014	1-2
NPN Inductive Sensor 4mm with Quick Disconnect*	375M, 500M	OISN-014	1-2
Quick Disconnect 2 Meter Cable Length*	All Models	CABL-010	1-4†
Quick Disconnect 5 Meter Cable Length*	All Models	CABL-013	1-4†

Pneumatic Accessories	Model Numbers	Part Number	Qty/Unit
Fail Safe Valve M5	All Models	OFSV-004	1
Adjustable Flow Control	All Models	OFSV-008	1-2

\* Sensor and cable sold separately. † Except 250-1, 250-2, 1-2 only.



GR-HDP-3

Dimensions and technical information are subject to change without notice

**DPW SERIES****2-Jaw Heavy-Duty Parallel Grippers | Technical Specifications**

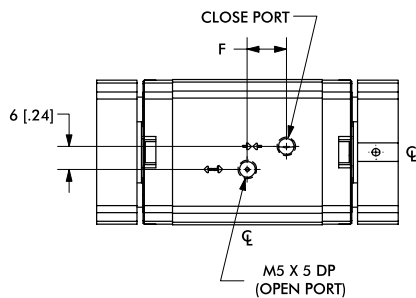
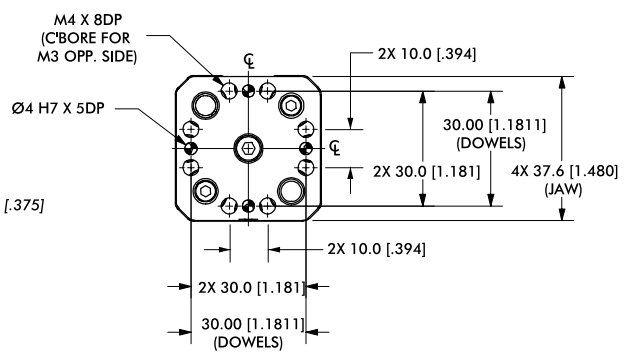
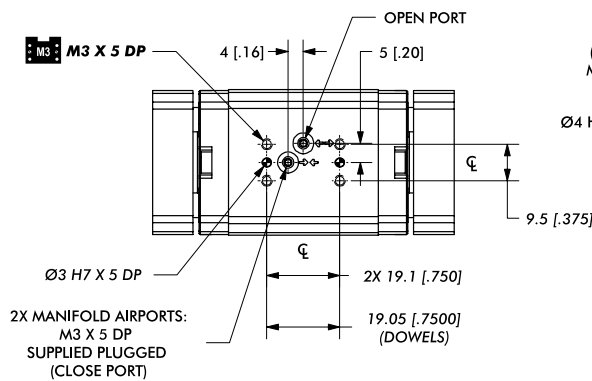
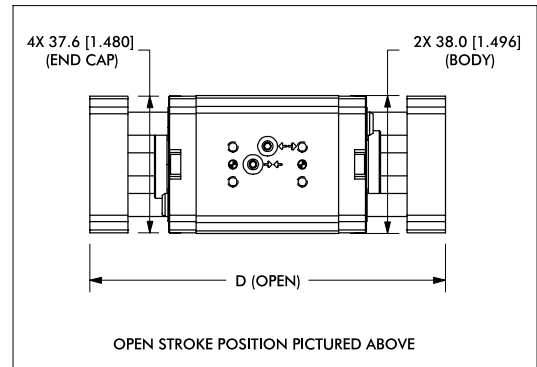
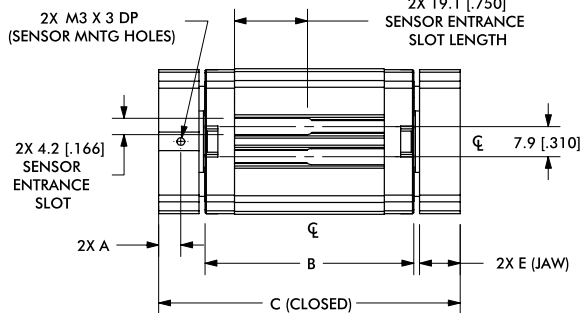
Specifications	Units	250M-1	250M-2	375M-1	375-2
Total Rated Grip Force <b>F</b> @ 100 psi	N [lbs]	222 [50]		445 [100]	
Total Stroke	mm [in]	19.1 [0.75]	31.8 [1.25]	25.4 [1.00]	50.8 [2.00]
Weight	kg [lbs]	0.30 [0.66]	0.39 [0.86]	0.81 [1.80]	1.20 [2.66]
Pressure Range	bar [psi]	1.5-7 [20-100]			
Ingress Protection Class (IP)		IP66			
Displacement	cm <sup>3</sup> [in <sup>3</sup> ]	3.8 [0.023]	6.3 [0.383]	11.3 [0.690]	22.6 [1.382]
Temperature Range (Buna-N seals)	°C [°F]	-35°~80° [-30°~180°]			
Temperature Range (Viton® seals)	°C [°F]	-30°~150° [-20°~300°]			
Actuation	sec	0.12	0.14	0.16	0.20
Accuracy	mm [in]	±0.08 [±0.003]			
Repeatability	mm [in]	±0.03 [±0.001]			
Valve to Actuate Double Acting		4-way, 2-position			

Specifications	Units	500M-1	500M-2
Total Rated Grip Force <b>F</b> @ 100 psi	N [lbs]	800 [180]	
Total Stroke	mm [in]	38.1 [1.50]	63.5 [2.50]
Weight	kg [lbs]	1.48 [3.27]	2.0 [4.39]
Pressure Range	bar [psi]	1.5-7 [20-100]	
Ingress Protection Class (IP)		IP66	
Displacement	cm <sup>3</sup> [in <sup>3</sup> ]	30.2 [1.841]	50.3 [3.068]
Temperature Range (Buna-N seals)	°C [°F]	-35°~80° [-30°~180°]	
Temperature Range (Viton® seals)	°C [°F]	-30°~150° [-20°~300°]	
Actuation	sec	0.20	0.28
Accuracy	mm [in]	±0.08 [±0.003]	
Repeatability	mm [in]	±0.03 [±0.001]	
Valve to Actuate Double Acting		4-way, 2-position	

# DPW-250M



## 2-Jaw Heavy-Duty Parallel Grippers | Dimensions and Technical Specifications

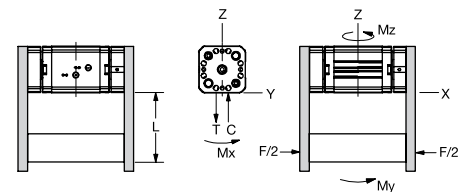
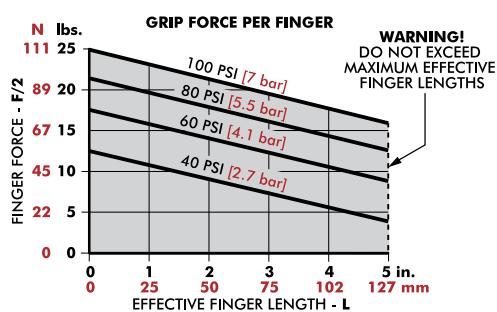


Sensor Accessories	250M
Inductive Sensor Mtg Kit (3mm or 4mm)	OSMK-116

Seal Repair Kits	250M
Buna-N Seal Repair Kit	SLKT-337
Viton® Seal Repair Kit	SLKT-337V
Viton® Manifold Seal Kit	SLKT-197V
Shaft Wiper Seal Kit	SLKT-338

Model	A	B	C	D	E	F
DPW-250M-1	5.8 [0.227]	54.4 [2.140]	79 [3.09]	98 [3.85]	10.5 [0.414]	10 [0.40]
DPW-250M-2	7.3 [0.289]	67.1 [2.640]	104 [4.09]	136 [5.35]	16.9 [0.664]	12 [0.47]

### Loading Information



DPW-250M	Static	Dynamic
Maximum Tensile <b>T</b>	267 N [60 lbs]	53 N [12 lbs]
Maximum Compressive <b>C</b>	267 N [60 lbs]	53 N [12 lbs]
Maximum Moment <b>M<sub>x</sub></b>	14 Nm [120 in-lbs]	3 Nm [24 in-lbs]
Maximum Moment <b>M<sub>y</sub></b>	20 Nm [180 in-lbs]	4 Nm [36 in-lbs]
Maximum Moment <b>M<sub>z</sub></b>	14 Nm [120 in-lbs]	3 Nm [24 in-lbs]

\*Capacities are per set of jaws and are not simultaneous



GR-HDP-5

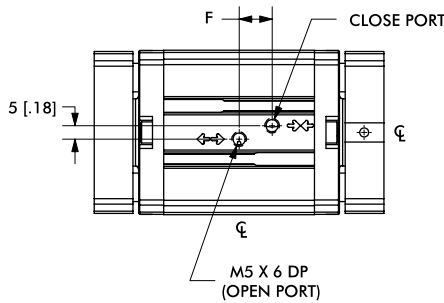
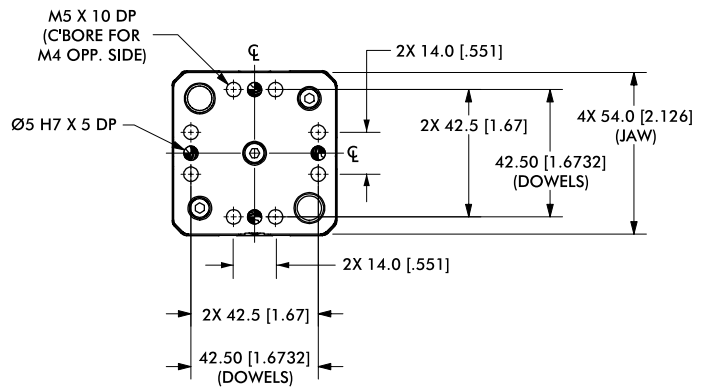
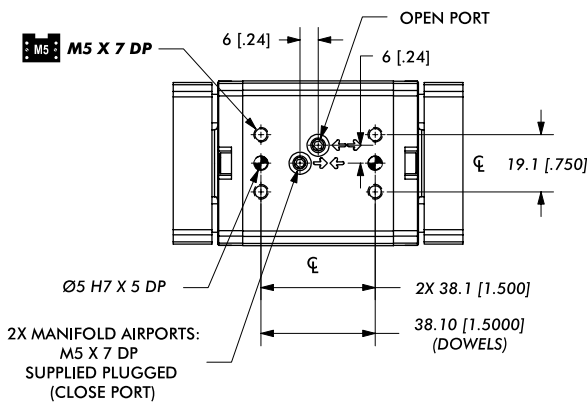
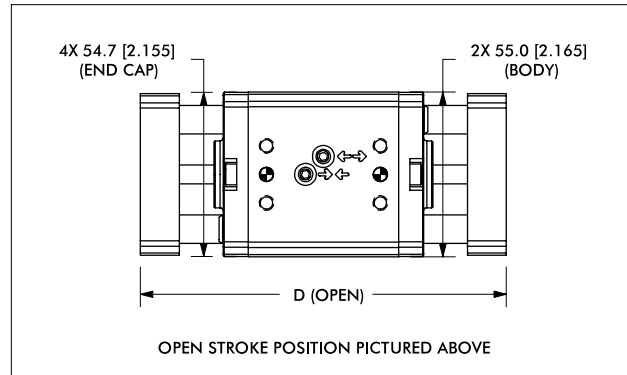
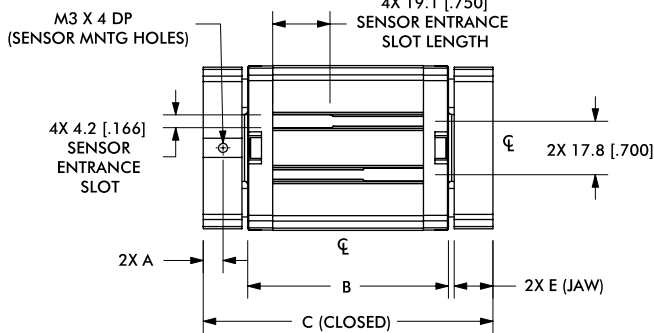
Dimensions and technical information are subject to change without notice

**DIRECTCONNECT™**

M5

**DPW-375M**

2-Jaw Heavy-Duty Parallel Grippers | Dimensions and Technical Specifications



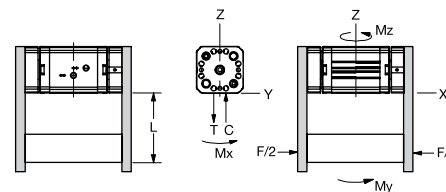
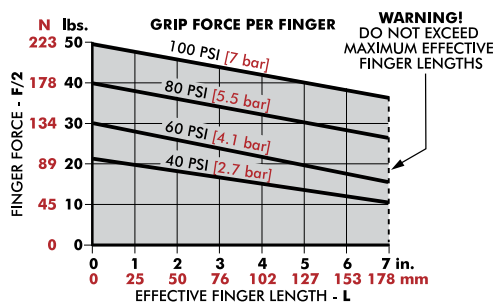
Model	A	B	C	D	E	F
DPW-375M-1	6.7 [0.262]	67.1 [2.640]	97 [3.81]	122 [4.81]	13.0 [0.512]	11 [0.43]
DPW-375M-2	11.7 [0.462]	92.5 [3.640]	147 [5.81]	198 [7.81]	25.7 [1.012]	12 [0.47]

Sensor Accessories	375M
Inductive Sensor Mtg Kit (3mm or 4mm)	OSMK-117

Seal Repair Kits	375M
Buna-N Seal Repair Kit	SLKT-339
Viton® Seal Repair Kit	SLKT-339V
Viton® Manifold Seal Kit	SLKT-199V
Shaft Wiper Seal Kit	SLKT-340

Loading Information



DPW-375M	Static	Dynamic
Maximum Tensile <b>T</b>	534 N [120 lbs]	107 N [24 lbs]
Maximum Compressive <b>C</b>	534 N [120 lbs]	107 N [24 lbs]
Maximum Moment <b>M<sub>x</sub></b>	24 Nm [210 in-lbs]	5 Nm [42 in-lbs]
Maximum Moment <b>M<sub>y</sub></b>	34 Nm [300 in-lbs]	7 Nm [60 in-lbs]
Maximum Moment <b>M<sub>x</sub></b>	24 Nm [210 in-lbs]	5 Nm [42 in-lbs]

\*Capacities are per set of jaws and are not simultaneous

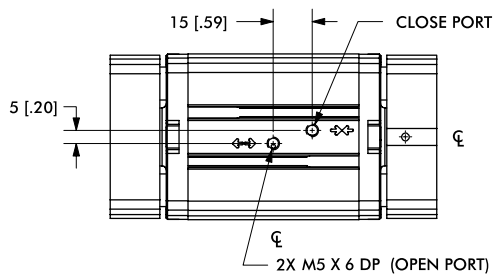
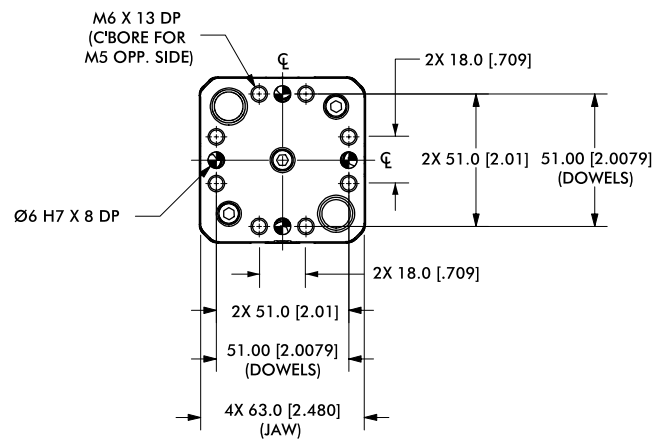
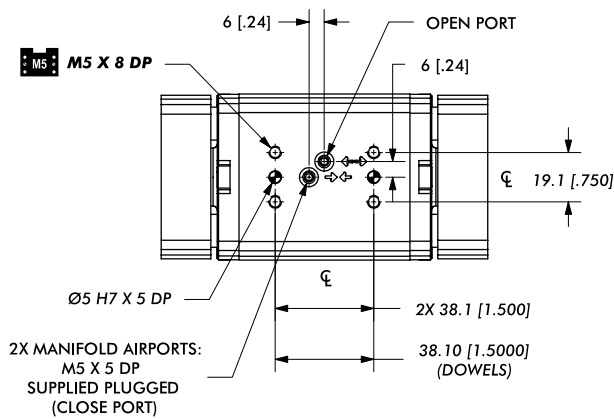
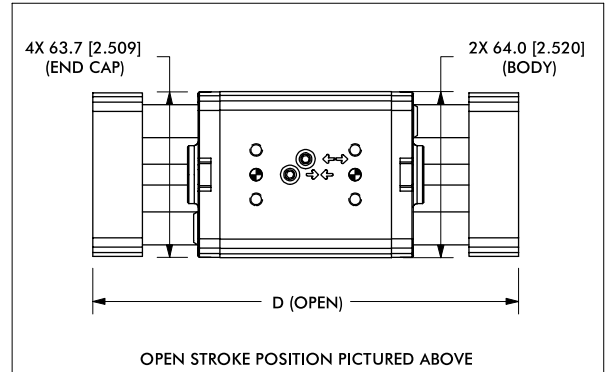
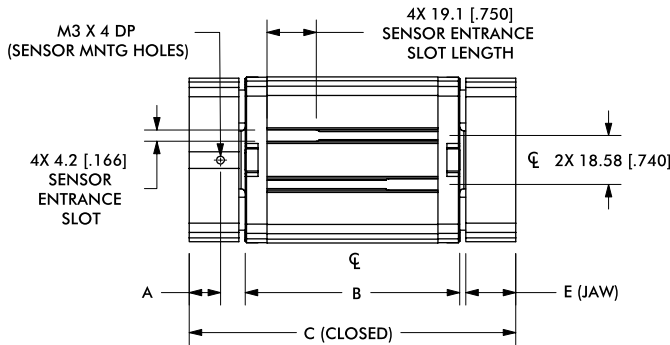
Dimensions and technical information are subject to change without notice

GR-HDP-6



# DPW-500M

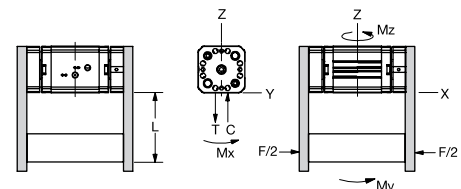
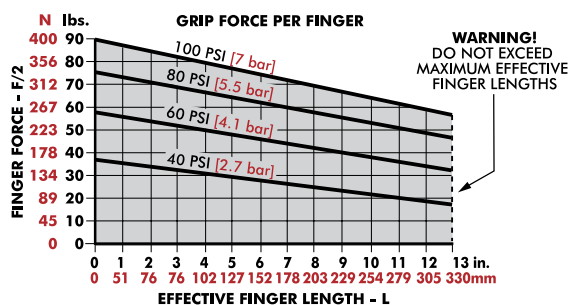
## 2-Jaw Heavy-Duty Parallel Grippers | Dimensions and Technical Specifications



Sensor Accessories	500M
Inductive Sensor Mtg Kit (3mm or 4mm)	OSMK-118
Seal Repair Kits	500M
Buna-N Seal Repair Kit	SLKT-341
Viton® Seal Repair Kit	SLKT-341V
Viton® Manifold Seal Kit	SLKT-199V
Shaft Wiper Seal Kit	SLKT-342

Model	A	B	C	D	E
DPW-500M-1	12.1 [0.475]	82.8 [3.260]	125 [4.96]	164 [6.46]	19.2 [0.755]
DPW-500M-2	14.9 [0.585]	108.2 [4.260]	177 [6.96]	240 [9.46]	31.9 [1.255]

### Loading Information



DPW-500M	Static	Dynamic
Maximum Tensile <b>T</b>	2668 N [600 lbs]	267 N [60 lbs]
Maximum Compressive <b>C</b>	2668 N [600 lbs]	267 N [60 lbs]
Maximum Moment <b>M<sub>x</sub></b>	68 Nm [600 in-lbs]	7 Nm [60 in-lbs]
Maximum Moment <b>M<sub>y</sub></b>	102 Nm [900 in-lbs]	10 Nm [90 in-lbs]
Maximum Moment <b>M<sub>z</sub></b>	68 Nm [600 in-lbs]	7 Nm [60 in-lbs]

\*Capacities are per set of jaws and are not simultaneous



GR-HDP-7

Dimensions and technical information are subject to change without notice



# RPB SERIES

## 2-Jaw Heavy-Duty Parallel Grippers | Features and Benefits | How to Order

### Features:

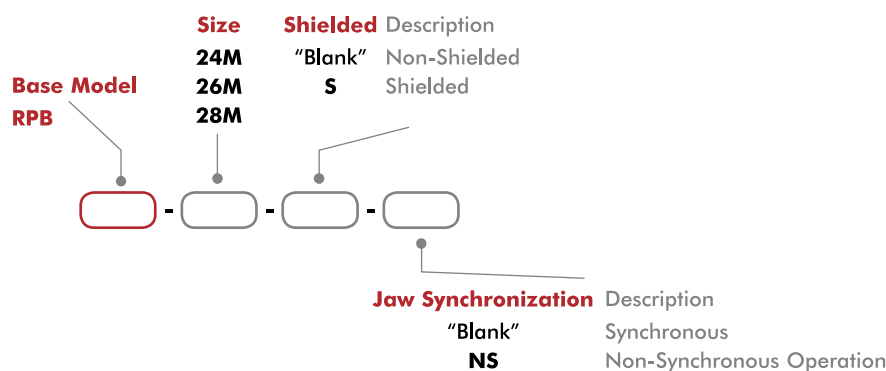
- High accuracy, sealed, low friction roller bearing, long stroke gripper
- Grip force of 2669N with strokes from 101mm to 203mm (maintains full grip force even at long finger lengths)
- Rack and pinion design for high repeatability
- Purge ports maintain long term smooth operation in harsh environments.
- Viton® seals for extended temperature operating range.
- Optional non-synchronous jaw operation
- Part sensing using up to 4 inductive sensors



### Applications:

- Foundry applications
- Gantry systems
- Large heavy part handling
- Long finger lengths

### RPB Series How To Order



### RPB Series Accessories

Sensor Accessories	Model Numbers	Part Number	Qty/Unit
12mm Sensor Mounting Kit (mounts 2 sensors)	24, 26, 28	OSMK-078	1-2
12mm Sensor Mounting Kit (mounts 2 sensors)	24-S, 26-S, 28-S	OSMK-079	1-2
12mm PNP Inductive Sensor with Quick Disconnect*	All Models	OISP-017	1-4
12mm NPN Inductive Sensor with Quick Disconnect*	All Models	OISN-017	1-4
Quick Disconnect 2 Meter Cable Length*	All Models	CABL-014	1-4

Pneumatic Accessories	Model Numbers	Part Number	Qty/Unit
Fail Safe Valve (Metric)	All Models	OFSV-006	1
Plumbing Adapter G1/4-M to 1/4 NPT-F	All Models	PLFT-024	1-2

\*Sensor and cable sold separately.



GR-HDP-9

Dimensions and technical information are subject to change without notice

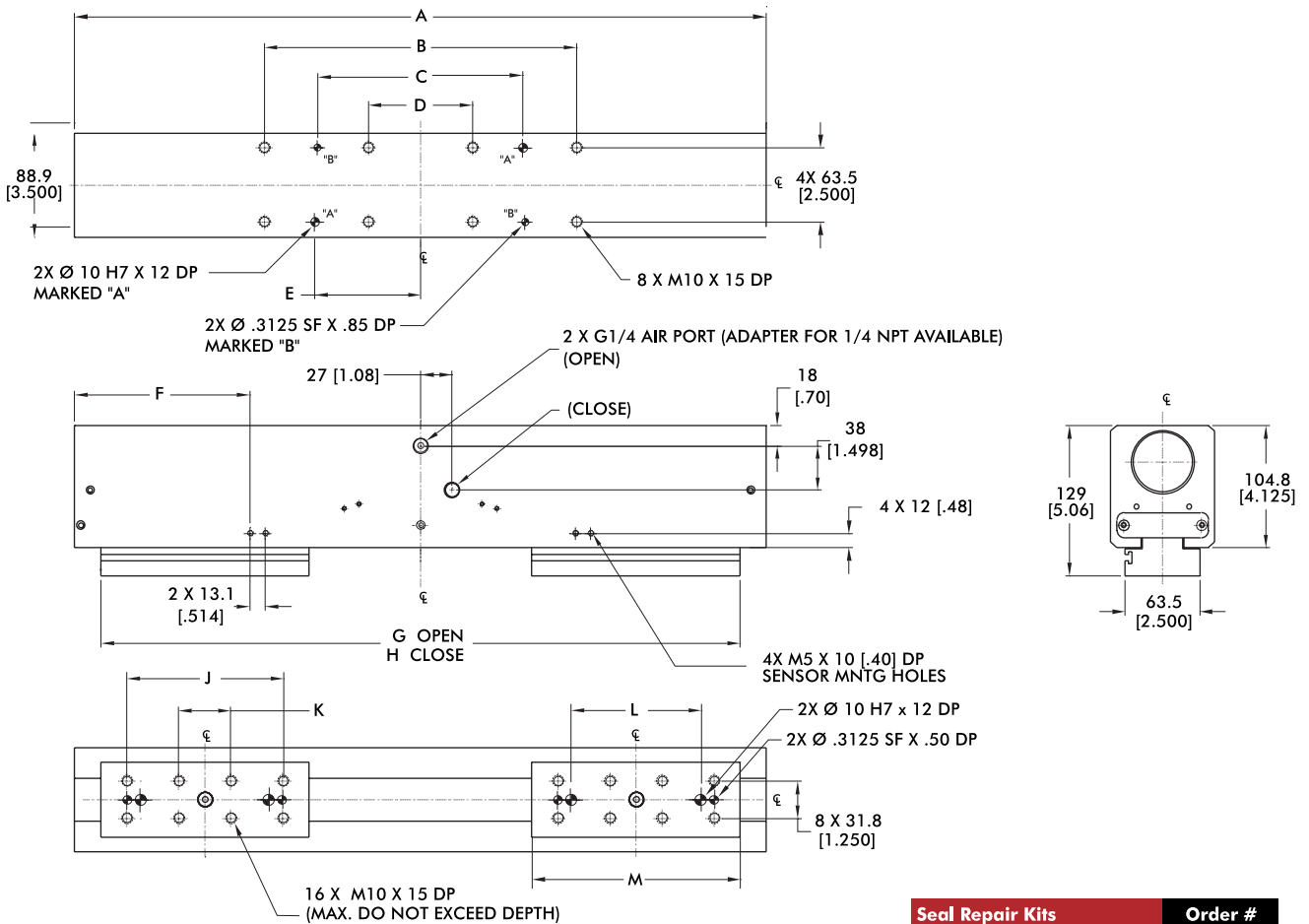


**RPB SERIES****2-Jaw Heavy-Duty Parallel Grippers | Technical Specifications**

Specifications	Units	24M, 24M-S	26M, 26M-S	28M, 28M-S
Total Rated Grip Force <b>F</b> @ 100 psi [7 bar]	N [lbs]	2669 [600]		
Total Stroke	mm [in]	101.6 [4]	152.4 [6]	203.2 [8]
Weight	kg [lbs]	10.9 [24]	14.5 [32]	19.1 [42]
Pressure Range	bar [psi]	1.4-7 [20-100]		
Cylinder Bore Ø	mm [in]	50.8 [2.000]		
Displacement	cm <sup>3</sup> [in <sup>3</sup> ]	204.8 [12.5]	308.1 [18.8]	410 [25]
Temperature Range (Viton® seals)	°C [°F]	-30°~150° [-20°~300°]		
Actuation	sec	0.5	0.75	1.00
Accuracy	mm [in]	±0.13 [±0.005]		
Repeatability	mm[in]	±0.05 [±0.0020]		
Valve to Actuate Double Acting		4-way, 2-position		

# RPB-24M, -26M, -28M

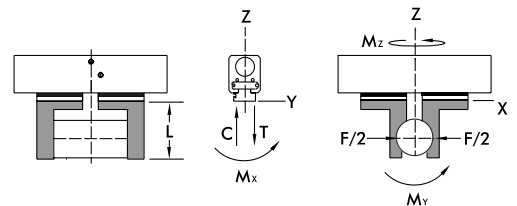
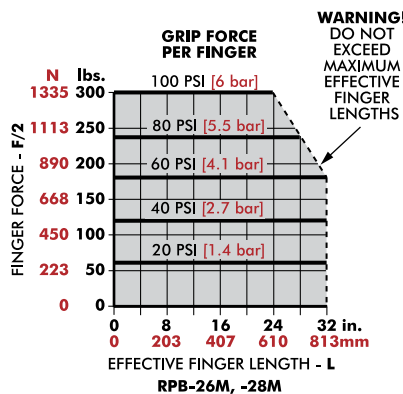
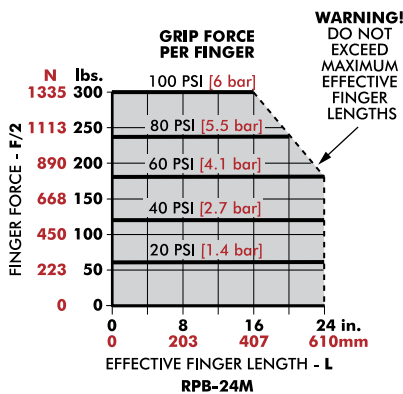
## 2-Jaw Heavy-Duty Parallel Grippers | Dimensions and Technical Specifications



Seal Repair Kits	Order #
Viton® Seal Repair Kit	SLKT-123V

Model	A	B	C	D	E	F	G	H	J	K	L	M
RPB-24M	438.2 [17.250]	152.4 [6.000]	101.6 [4.000]	50.8 [2.000]	50.8 [2.000]	98.9 [3.90]	394 [15.50]	292 [11.50]	101.6 [4.000]	38.1 [1.500]	82.0 [3.2284]	127.0 [5.000]
RPB-26M	590.5 [23.250]	266.7 [10.500]	177.8 [7.000]	88.9 [3.500]	88.9 [3.500]	150 [5.90]	546 [21.50]	394 [15.50]	133.4 [5.250]	44.5 [1.750]	112.0 [4.4094]	178 [7.00]
RPB-28M	743.0 [29.250]	381.0 [15.000]	254.0 [10.000]	127.0 [5.000]	127.0 [5.000]	188 [7.39]	699 [27.50]	495 [19.50]	165.1 [6.500]	50.8 [2.000]	140.0 [5.5118]	229 [9.00]

### Loading Information



Static Load	-24M	-26M, -28M
Maximum Tensile <b>T</b>	6672 N [1500 lbs]	8896 N [2000 lbs]
Maximum Compressive <b>C</b>	6672 N [1500 lbs]	8896 N [2000 lbs]
Maximum Moment <b>M<sub>x</sub></b>	339 Nm [3000 in-lbs]	396 Nm [3500 in-lbs]
Maximum Moment <b>M<sub>y</sub></b>	339 Nm [3000 in-lbs]	396 Nm [3500 in-lbs]
Maximum Moment <b>M<sub>z</sub></b>	339 Nm [3000 in-lbs]	396 Nm [3500 in-lbs]

\*Capacities are per set of jaws and are not simultaneous

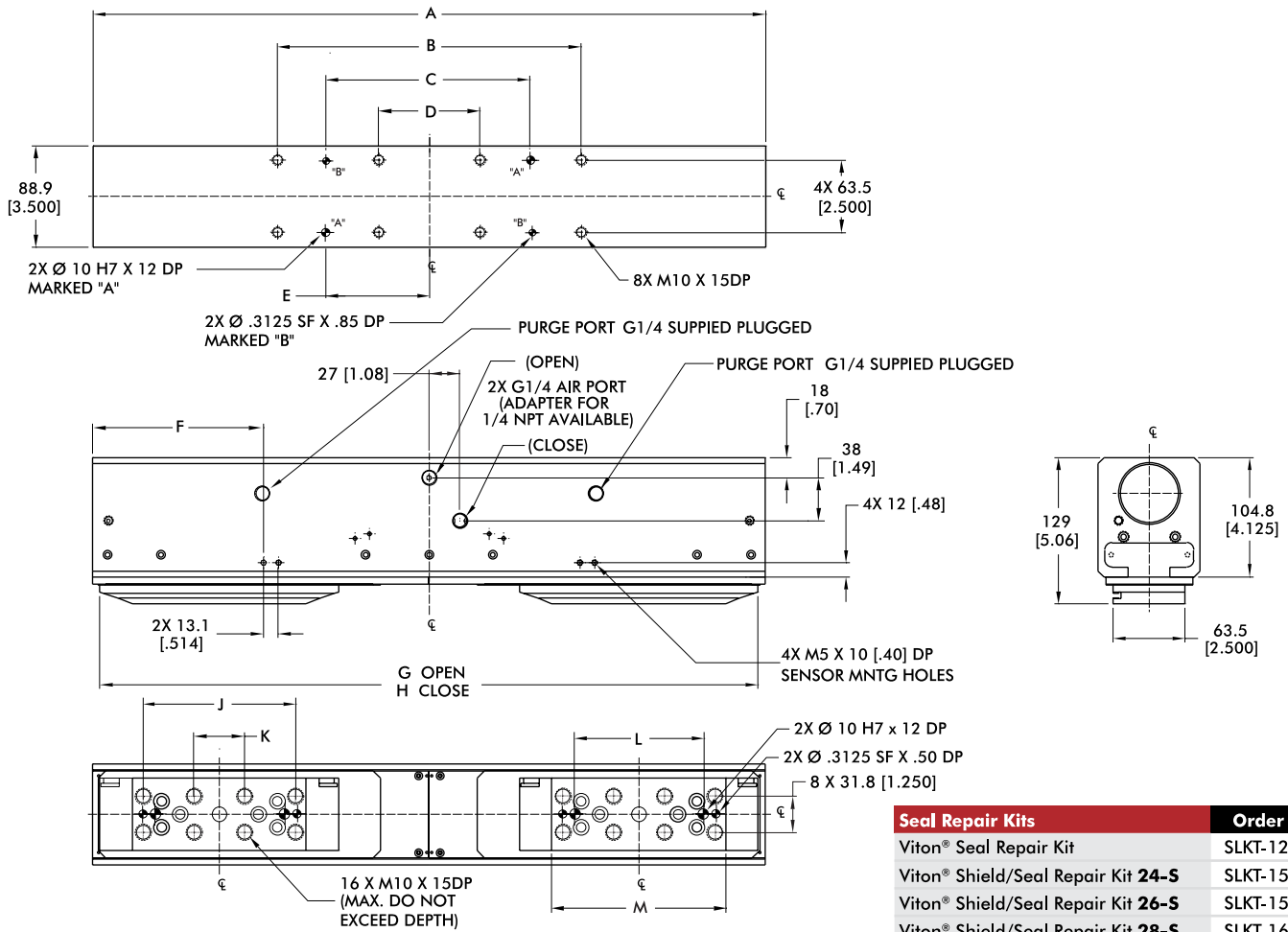


GR-HDP-11

Dimensions and technical information are subject to change without notice

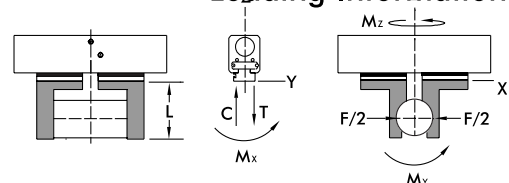
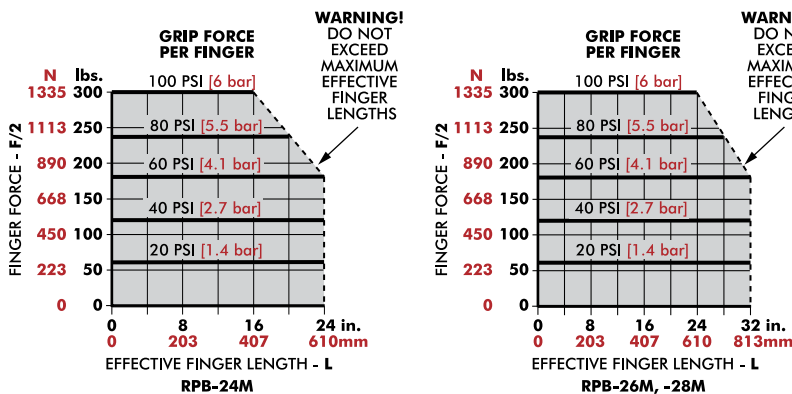
# RPB-24M-S, -26M-S, -28M-S

## 2-Jaw Heavy-Duty Parallel Grippers | Dimensions and Technical Specifications



Model	A	B	C	D	E	F	G	H	J	K	L	M
<b>RPB-24M-S</b>	438.2 [17.250]	152.4 [6.000]	101.6 [4.000]	50.8 [2.000]	50.8 [2.000]	98.9 [3.90]	427 [16.82]	325 [12.79]	101.6 [4.000]	38.1 [1.500]	82.0 [3.2284]	124 [4.88]
<b>RPB-26M-S</b>	590.5 [23.250]	266.7 [10.500]	177.8 [7.000]	88.9 [3.500]	88.9 [3.500]	150 [5.90]	578 [22.75]	425 [16.75]	133.4 [5.250]	44.5 [1.750]	112.0 [4.4094]	153 [6.03]
<b>RPB-28M-S</b>	743.0 [29.250]	381.0 [15.000]	254.0 [10.000]	127.0 [5.000]	127.0 [5.000]	188 [7.39]	724 [28.50]	521 [20.50]	165.1 [6.500]	50.8 [2.000]	140.0 [5.5118]	197 [7.77]

### Loading Information



Static Load	-24M	-26M, -28M
Maximum Tensile <b>T</b>	6672 N [1500 lbs]	8896 N [2000 lbs]
Maximum Compressive <b>C</b>	6672 N [1500 lbs]	8896 N [2000 lbs]
Maximum Moment <b>M<sub>x</sub></b>	339 Nm [3000 in-lbs]	396 Nm [3500 in-lbs]
Maximum Moment <b>M<sub>y</sub></b>	339 Nm [3000 in-lbs]	396 Nm [3500 in-lbs]
Maximum Moment <b>M<sub>z</sub></b>	339 Nm [3000 in-lbs]	396 Nm [3500 in-lbs]

\*Capacities are per set of jaws and are not simultaneous

Dimensions and technical information are subject to change without notice

GR-HDP-12



# RPR SERIES

## 2-Jaw Heavy-Duty Parallel Grippers | Features and Benefits | How To Order

### Features:

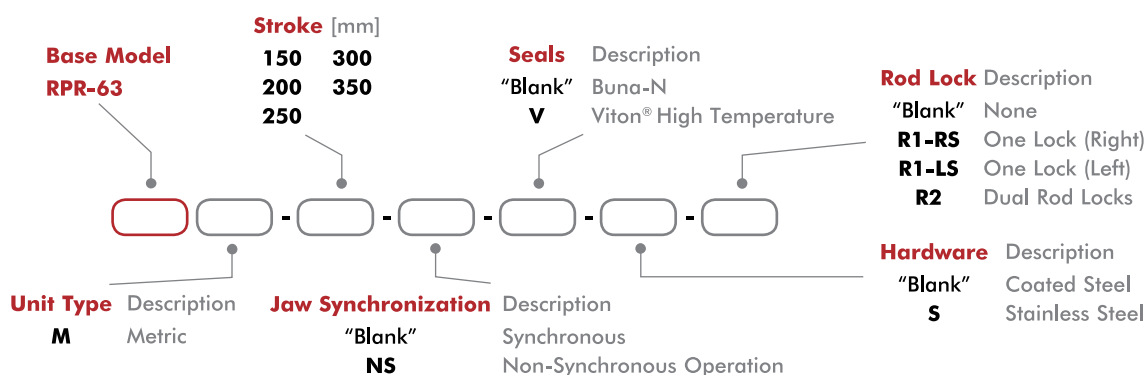
- High rigidity and robust long stroke gripper
- Grip force of 4559N with strokes from 150mm to 350mm
- Rack and Pinion for synchronized jaw operation
- Optional Integral Rod Lock that lock jaws in position upon air loss
- Shaft wiper seals protects internal bearings from contaminants
- Optional Viton® seals for high temp applications
- Customized sensing and linear encoder solutions available
- Optional analog position sensing for unlimited sensing positions

### Applications:

- Foundry applications
- Gantry Systems
- Large heavy part handling



### How To Order



### Accessories

Sensor Accessories		Part Number	Qty/Unit
Sensor Mounting Kit for Imperial & Metric Units (mounts 2 sensors)		OSMK-131	1
12mm PNP Inductive Sensor with Quick Disconnect*		OISP-017	1-2
12mm NPN Inductive Sensor with Quick Disconnect*		OISN-017	1-2
Quick Disconnect 2 Meter Cable Length*		CABL-014	1-2
Quick Disconnect 5 Meter Cable Length*		CABL-018	1-2
Analog Sensor		OISA-001	1
Analog Sensor Cable with Quick Disconnect 5 Meter Cable Length		CABL-045	1
Analog Sensor Mounting Kit		OSMK-132	1
Pneumatic Accessories		Part Number	Qty/Unit
Fail Safe Valve 1/4 NPT (Imperial)		OFSV-003	1
Fail Safe Valve 1/4 BSPP (Metric)		OFSV-006	1
Plumbing Adapter 1/4 BSPP Male to 1/4 NPT Female		PLFT-024	1-2
Buna-N Seal Repair Kit		SLKT-452	1
Viton® Seal Repair Kit		SLKT-453	1

\* Sensor and cable sold separately.

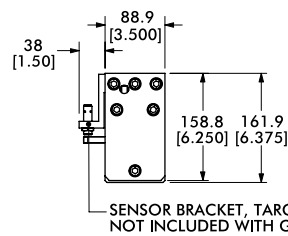
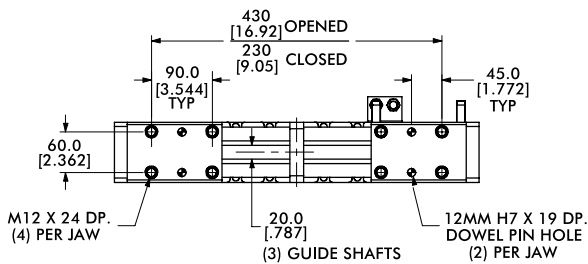
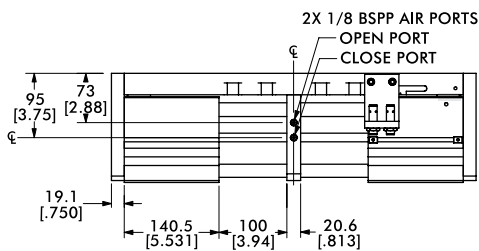
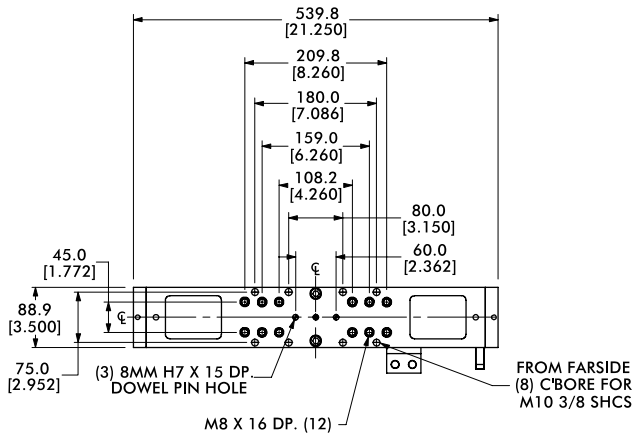


GR-HDP-13

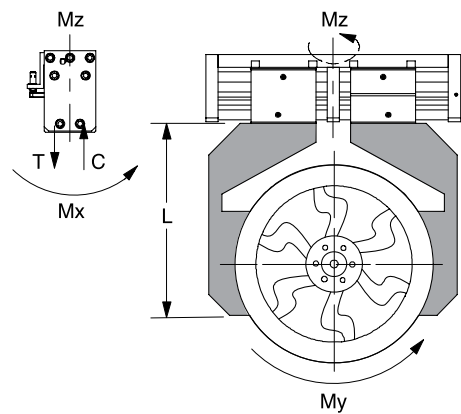
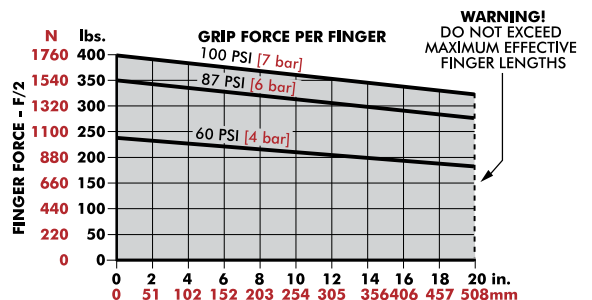
Dimensions and technical information are subject to change without notice

# RPR-63-200

## 2-Jaw Heavy-Duty Parallel Grippers | Technical Specifications



### Loading Information



Specifications	Units	RPR-63-200
Total Rated Grip Force <b>F</b> @ 100 psi	N [lbs]	3250 [800]
Total Stroke	mm [in]	200 [7.87]
Weight	kg [lbs]	15.8 [35]
Pressure Range	bar [psi]	3-7 [40-100]
Ingress Protection Class (IP)		IP65
Displacement	cm <sup>3</sup> [in <sup>3</sup> ]	623 [38.2]
Temperature Range (Buna-N seals)	°C [°F]	-35°~80° [-30°~180°]
Temperature Range (Viton® seals)	°C [°F]	-30°~150° [-20°~300]
Actuation	sec	1.3
Accuracy	mm [in]	±0.13 [±0.005]
Repeatability	mm [in]	±0.05 [±0.002]
Valve to Actuate Double Acting		4-way, 2-position

RPR-63M	
Maximum Tensile <b>T</b>	15570 N [3500 lbs]
Maximum Compressive <b>C</b>	15570 N [3500 lbs]
Maximum Moment <b>M<sub>x</sub></b>	825 Nm [7500 in-lbs]
Maximum Moment <b>M<sub>y</sub></b>	990 N [9000 lbs]
Maximum Moment <b>M<sub>x</sub></b>	825 Nm [7500 in-lbs]
Maximum Finger Length <b>L</b>	500mm [20 in]

\*Capacities are per set of jaws and are not simultaneous

Dimensions and technical information are subject to change without notice

GR-HDP-14



# RPW SERIES

## 2-Jaw Heavy-Duty Parallel Grippers | Features and Benefits | How To Order

### Features:

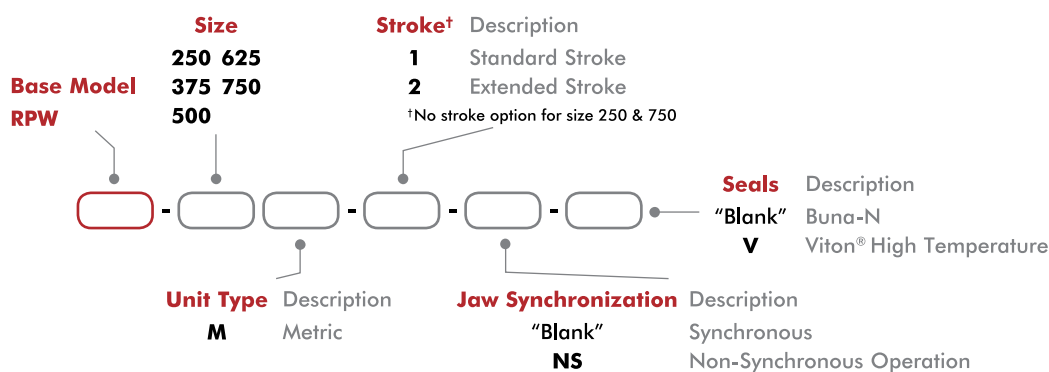
- Robust wide body gripper
- Grip force ranges from 222N thru 2091N
- Strokes range from 19mm thru 114mm
- Rack and pinion design for smooth operation
- Jaws well supported to grip large and wide parts
- Double rod seals for extended life in harsh environments
- Optional non-synchronous jaw operation

### Applications:

- Wide part gripping
- Gantry systems
- Harsh gripping environment



### How To Order



### Accessories

Sensor Accessories	Model Numbers	Part Number	Qty/Unit
Sensor Mounting Kit for Imperial & Metric Units (mounts 2 sensors)	See Datasheet		1
PNP Inductive Sensor with Quick Disconnect*	250, 375, 500	OISP-014	1-2
NPN Inductive Sensor with Quick Disconnect*	250, 375, 500	OISN-014	1-2
PNP Inductive Sensor with Quick Disconnect*	625, 750	OISP-011	1-2
NPN Inductive Sensor with Quick Disconnect*	625, 750	OISN-011	1-2
Quick Disconnect 2 Meter Cable Length*	All Models	CABL-010	1-2
Quick Disconnect 5 Meter Cable Length*	All Models	CABL-013	1-2

Pneumatic Accessories	Model Numbers	Part Number	Qty/Unit
Fail Safe Valve (Imperial)	250, 375	OFSV-001	1
Fail Safe Valve (Metric)	250, 375	OFSV-004	1
Fail Safe Valve (Imperial)	500, 625, 750	OFSV-002	1
Fail Safe Valve (Metric)	500, 625, 750	OFSV-005	1

\*Sensor and cable sold separately.



GR-HDP-15

Dimensions and technical information are subject to change without notice

# RPW SERIES

## 2-Jaw Heavy-Duty Parallel Grippers | Technical Specifications

Specifications	Units	250	375-1	375M-2
Total Rated Grip Force <b>F</b> @ 100 psi	N [lbs]	222 [50]	400 [90]	
Total Stroke	mm [in]	19.1 [0.75]	25.4 [1.00]	50.8 [2.00]
Weight	kg [lbs]	0.30 [0.66]	0.59 [1.3]	0.91 [2.0]
Pressure Range	bar [psi]	3-7 [40-100]		
Ingress Protection Class (IP)		IP54		
Displacement	cm <sup>3</sup> [in <sup>3</sup> ]	3.8 [0.023]	9.8 [0.600]	19.7 [1.200]
Temperature Range (Buna-N seals)	°C [°F]	-35°~80° [-30°~180°]		
Temperature Range (Viton® seals)	°C [°F]	-30°~150° [-20°~300°]		
Actuation	sec	0.16	0.20	0.25
Accuracy	mm [in]	±0.05 [±0.002]		
Repeatability	mm [in]	±0.03 [±0.001]		
Valve to Actuate Double Acting		4-way, 2-position		

Specifications	Units	500-1	500-2
Total Rated Grip Force <b>F</b> @ 100 psi	N [lbs]	667 [150]	
Total Stroke	mm [in]	38.1 [1.50]	63.5 [2.50]
Weight	kg [lbs]	1.4 [3.0]	1.85 [4.0]
Pressure Range	bar [psi]	3-7 [40-100]	
Ingress Protection Class (IP)		IP54	
Displacement	cm <sup>3</sup> [in <sup>3</sup> ]	29.5 [1.800]	49.2 [3.000]
Temperature Range (Buna-N seals)	°C [°F]	-35°~80° [-30°~180°]	
Temperature Range (Viton® seals)	°C [°F]	-30°~150° [-20°~300°]	
Actuation	sec	0.25	0.33
Accuracy	mm [in]	±0.08 [±0.003]	
Repeatability	mm [in]	±0.03 [±0.001]	
Valve to Actuate Double Acting		4-way, 2-position	

Specifications	Units	625-1	625-2	750
Total Rated Grip Force <b>F</b> @ 100 psi	N [lbs]	1068 [240]		2091 [470]
Total Stroke	mm [in]	50.8 [2.00]	88.9 [3.50]	114.3 [4.50]
Weight	kg [lbs]	3.0 [6.5]	3.6 [7.8]	6.4 [14]
Pressure Range	bar [psi]	3-7 [40-100]		
Ingress Protection Class (IP)		IP54		
Displacement	cm <sup>3</sup> [in <sup>3</sup> ]	21.6 [1.320]	37.9 [2.310]	232.7 [14.200]
Temperature Range (Buna-N seals)	°C [°F]	-35°~80° [-30°~180°]		
Temperature Range (Viton® seals)	°C [°F]	-30°~150° [-20°~300°]		
Actuation	sec	0.52	0.69	1.00
Accuracy	mm [in]	±0.08 [±0.003]		
Repeatability	mm [in]	±0.03 [±0.001]		
Valve to Actuate Double Acting		4-way, 2-position		

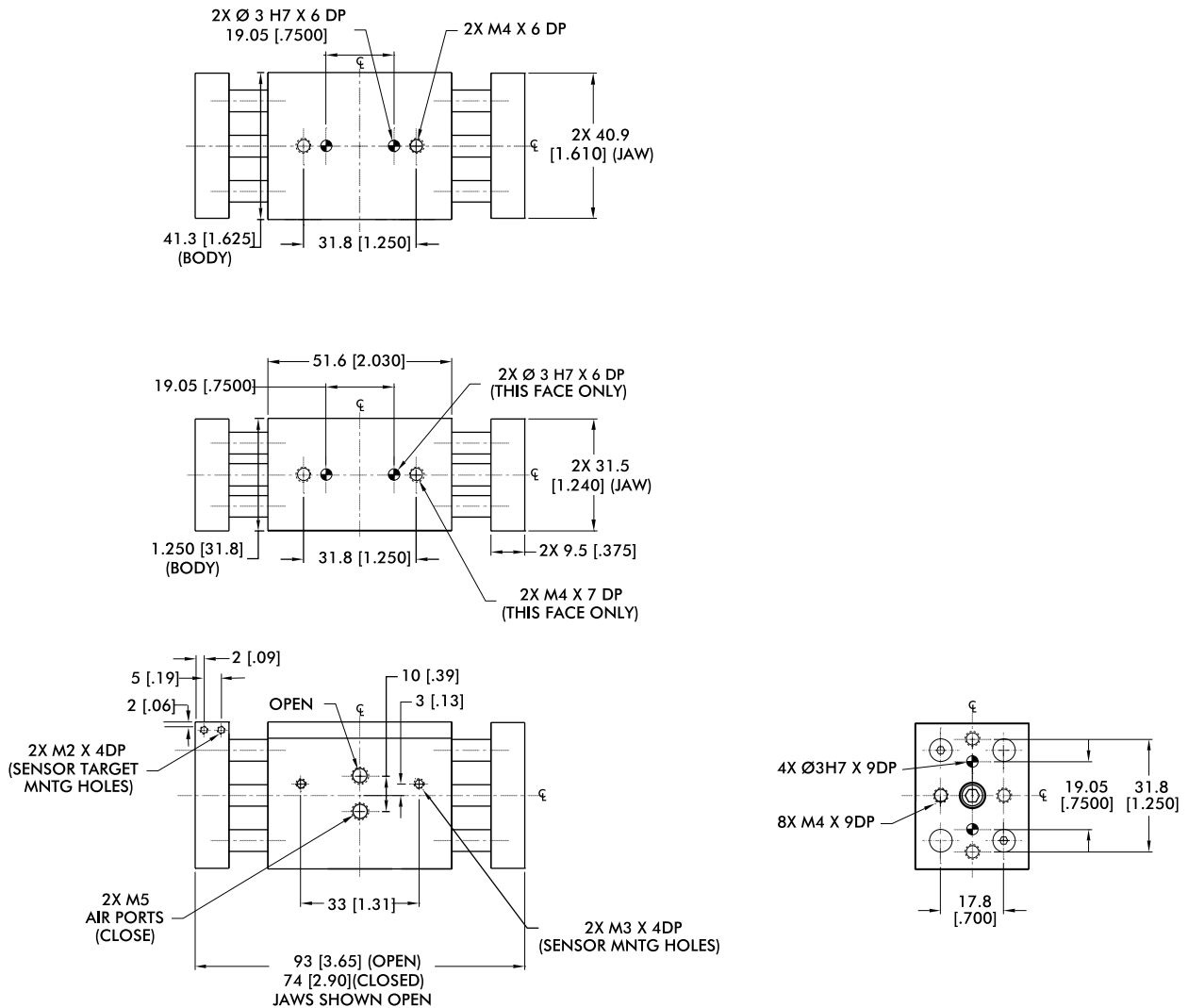
Dimensions and technical information are subject to change without notice

GR-HDP-16



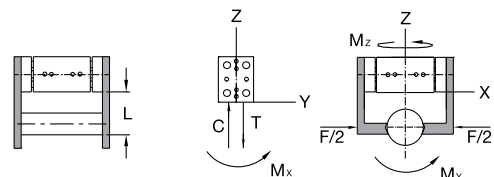
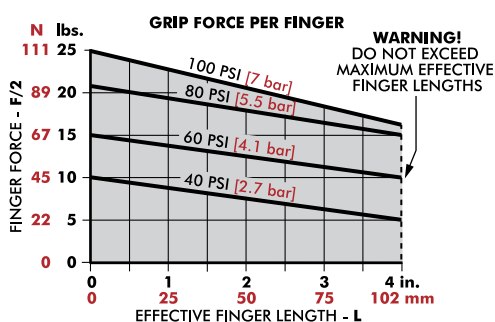
# RPW-250M

## 2-Jaw Heavy-Duty Parallel Grippers | Dimensions and Technical Specifications



<b>Sensor Accessories</b>	<b>250</b>
Inductive Sensor Mtg Kit (2 Sensors)	OSMK-009
<b>Seal Repair Kits</b>	<b>250</b>
Buna-N Seal Repair Kit	SLKT-055
Viton® Seal Repair Kit	SLKT-055V

### Loading Information



RPW-250M	Static	Dynamic
Maximum Tensile <b>T</b>	[50 lb] 222 N	[10 lb] 44 N
Maximum Compressive <b>C</b>	[50 lb] 222 N	[10 lb] 44 N
Maximum Moment <b>M<sub>x</sub></b>	[100 in-lb] 11 Nm	[20 in-lb] 2 Nm
Maximum Moment <b>M<sub>y</sub></b>	[150 in-lb] 17 Nm	[30 in-lb] 3 Nm
Maximum Moment <b>M<sub>z</sub></b>	[100 in-lb] 11 Nm	[20 in-lb] 2 Nm

\*Capacities are per set of jaws and are not simultaneous



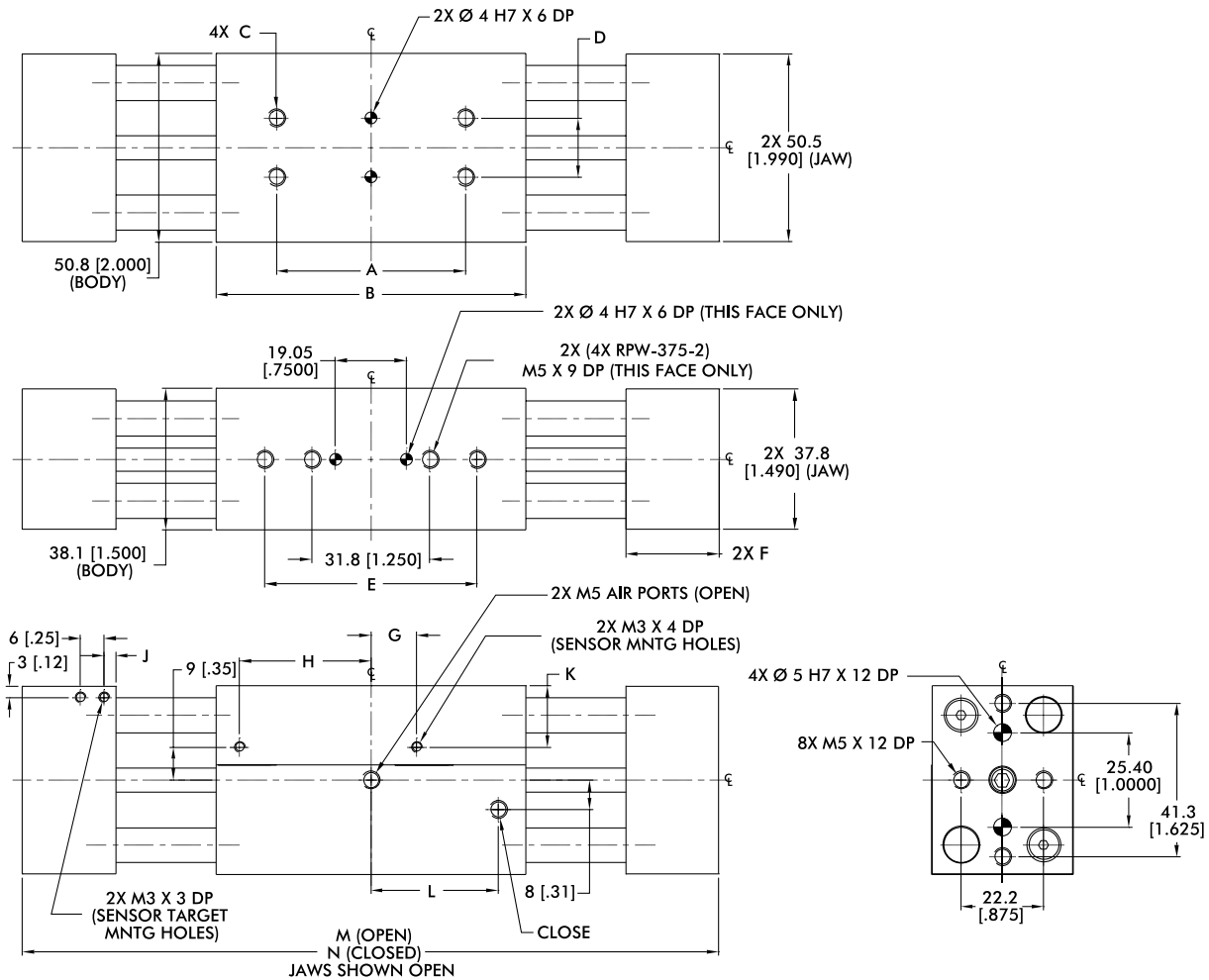
GR-HDP-17

Dimensions and technical information are subject to change without notice



# RPW-375M

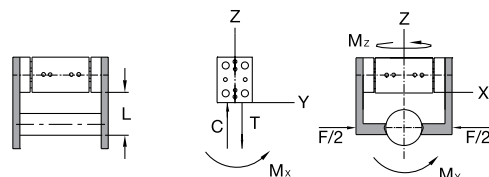
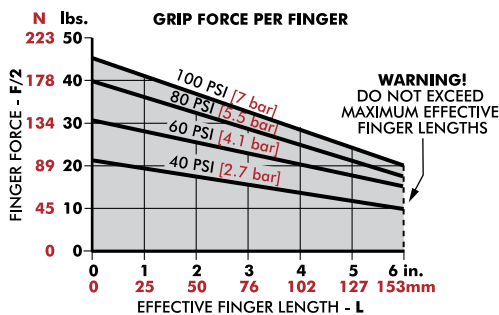
## 2-Jaw Heavy-Duty Parallel Grippers | Dimensions and Technical Specifications



Sensor Accessories	375	Seal Repair Kits	375
Inductive Sensor Mtg Kit for 375-1 (2 Sensors)	OSMK-010	Buna-N Seal Repair Kit	SLKT-056
Inductive Sensor Mtg Kit for 375-2 (2 Sensors)	OSMK-011	Viton® Seal Repair Kit	SLKT-056V

Model	A	B	C	D	E	F	G	H	J	K	L	M	N
RPW-375M-1	19.05 [0.7500]	19.0 [0.750]	M4 x 6 DP [#8-32 x.25 DP]	19.05 [0.7500]	--	18.8 [0.740]	13 [0.52]	22 [0.85]	3 [0.12]	9 [0.35]	21 [0.81]	120 [4.74]	95 [3.74]
RPW-375M-2	50.8 [2.000]	83.3 [3.280]	M5 x 6 DP [#10-32 x.25 DP]	15.88 [0.6250]	57.2 [2.250]	25.1 [0.990]	12 [0.49]	35 [1.39]	3 [0.13]	17 [0.65]	34 [1.35]	187 [7.38]	136 [5.38]

### Loading Information



RPW-375M	Static	Dynamic
Maximum Tensile <b>T</b>	[100 lb] 445 N	[20 lb] 89 N
Maximum Compressive <b>C</b>	[100 lb] 445 N	[20 lb] 89 N
Maximum Moment $M_x$	[175 in-lb] 20 Nm	[35 in-lb] 4 Nm
Maximum Moment $M_y$	[250 in-lb] 28 Nm	[50 in-lb] 6 Nm
Maximum Moment $M_x$	[175 in-lb] 20 Nm	[35 in-lb] 4 Nm

\*Capacities are per set of jaws and are not simultaneous

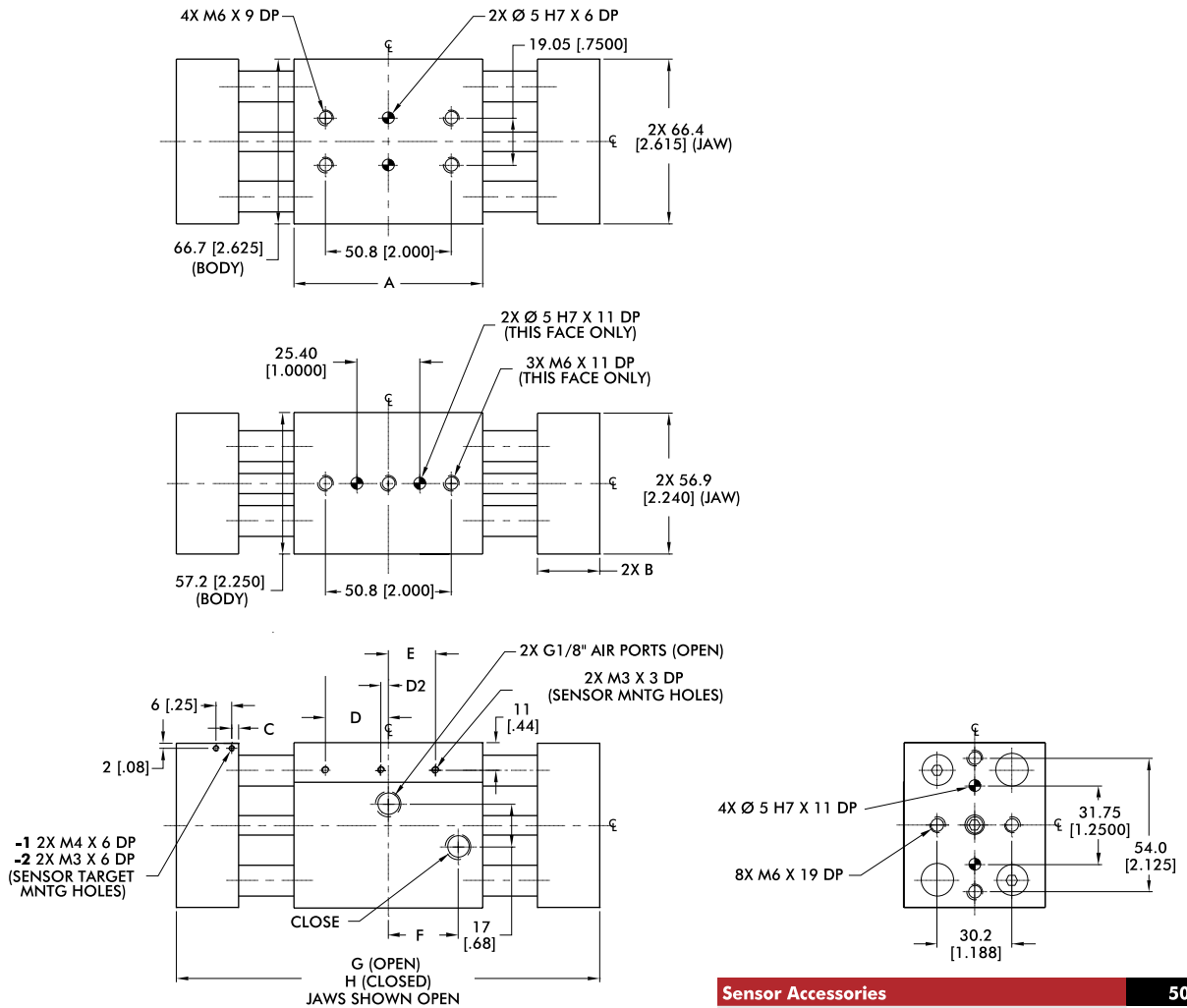
Dimensions and technical information are subject to change without notice

GR-HDP-18



# RPW-500M

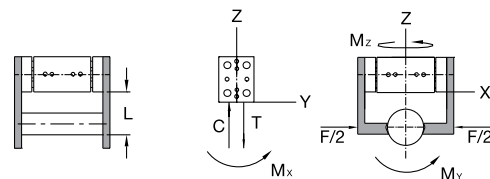
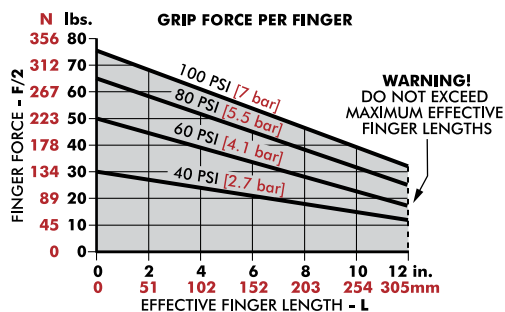
## 2-Jaw Heavy-Duty Parallel Grippers | Dimensions and Technical Specifications



Sensor Accessories		500
Inductive Sensor Mtg Kit for 500-1 (2 Sensors)	OSMK-012	
Inductive Sensor Mtg Kit for 500-2 (2 Sensors)	OSMK-013	
Seal Repair Kits		500
Buna-N Seal Repair Kit	SLKT-058	
Viton® Seal Repair Kit	SLKT-058V	

Model	A	B	C	D	D2	E	F	G	H
RPW-500M-1	76.2 [3.000]	25.1 [.990]	2.8 [.11]	25 [1.00]	--	19 [0.75]	28 [1.11]	171 [6.73]	132 [5.23]
RPW-500M-2	101.6 [4.000]	31.3 [1.235]	3.3 [.13]	38 [1.51]	3 [.13]	--	41 [1.61]	234 [9.23]	170 [6.73]

### Loading Information



RPW-500M	Static	Dynamic
Maximum Tensile <b>T</b>	[500 lb] 2224 N	[50 lb] 222 N
Maximum Compressive <b>C</b>	[500 lb] 2224 N	[50 lb] 222 N
Maximum Moment <b>M<sub>x</sub></b>	[500 in-lb] 57 Nm	[50 in-lb] 6 Nm
Maximum Moment <b>M<sub>y</sub></b>	[750 in-lb] 85 Nm	[75 in-lb] 8 Nm
Maximum Moment <b>M<sub>x</sub></b>	[500 in-lb] 57 Nm	[50 in-lb] 6 Nm

\*Capacities are per set of jaws and are not simultaneous

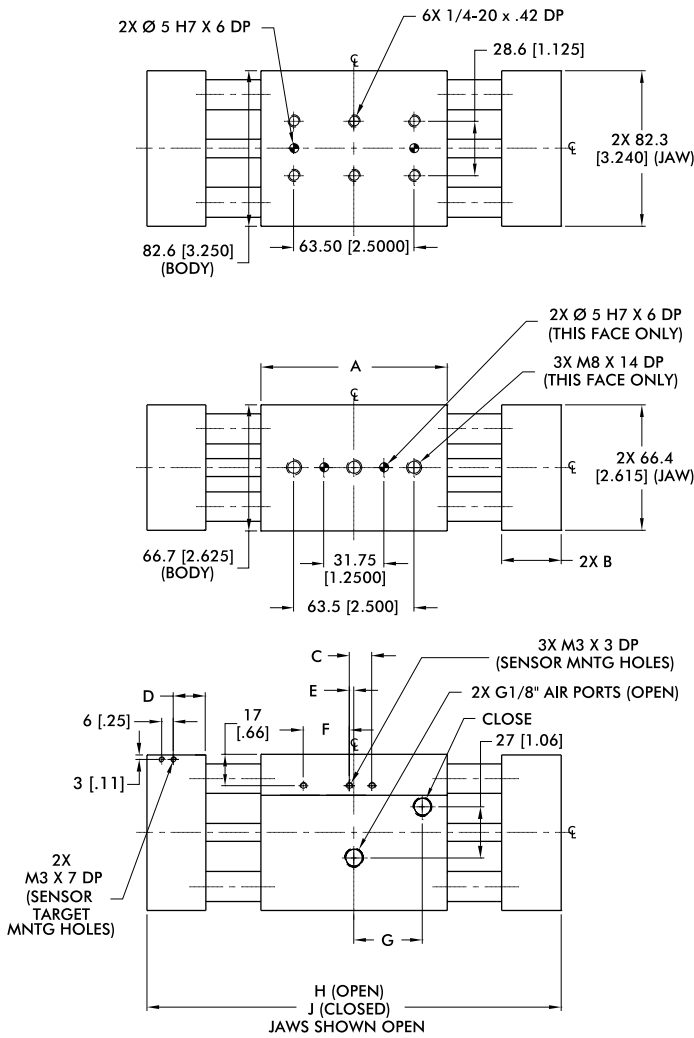


GR-HDP-19

Dimensions and technical information are subject to change without notice

# RPW-625M

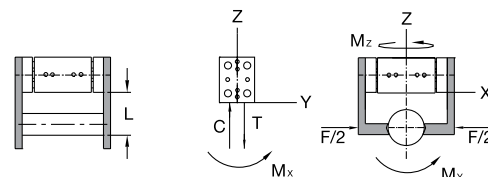
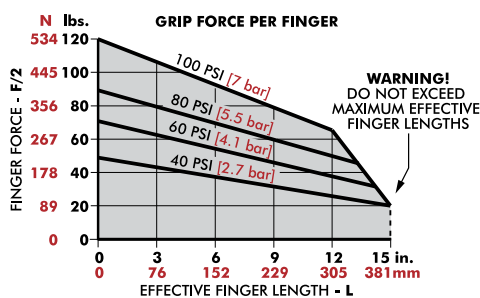
## 2-Jaw Heavy-Duty Parallel Grippers | Dimensions and Technical Specifications



Sensor Accessories		625
Inductive Sensor Mtg Kit (2 Sensors)		OSMK-074
Seal Repair Kits		625
Buna-N Seal Repair Kit		SLKT-071
Viton® Seal Repair Kit		SLKT-071V

Model	A	B	C	D	E	F	G	H	J
RPW-625M-1	98.4 [3.875]	31.4 [1.235]	14 [0.55]	17 [0.66]	2 [0.08]	24 [0.96]	36 [1.42]	219 [8.63]	168 [6.63]
RPW-625M-2	136.5 [5.375]	44.1 [1.735]	15 [0.61]	5 [0.21]	9 [0.37]	43 [1.71]	55 [2.17]	321 [12.63]	232 [9.13]

### Loading Information



RPW-625M	Static	Dynamic
Maximum Tensile <b>T</b>	[1200 lbs] 5338 N	[125 lbs] 556 N
Maximum Compressive <b>C</b>	[1200 lbs] 5338 N	[125 lbs] 556 N
Maximum Moment <b>M<sub>x</sub></b>	[1000 in-lbs] 113 Nm	[100 in-lbs] 11 Nm
Maximum Moment <b>M<sub>y</sub></b>	[1500 in-lbs] 170 Nm	[125 in-lbs] 14 Nm
Maximum Moment <b>M<sub>z</sub></b>	[1000 in-lbs] 113 Nm	[100 in-lbs] 11 Nm

\*Capacities are per set of jaws and are not simultaneous

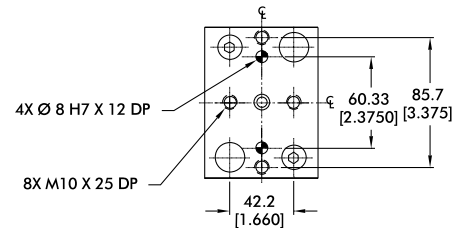
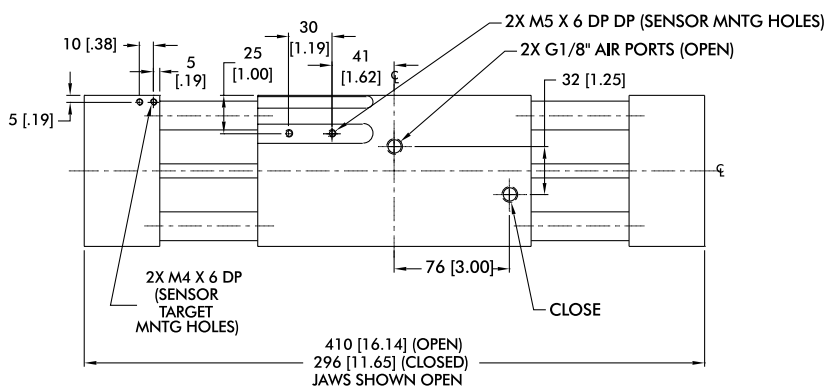
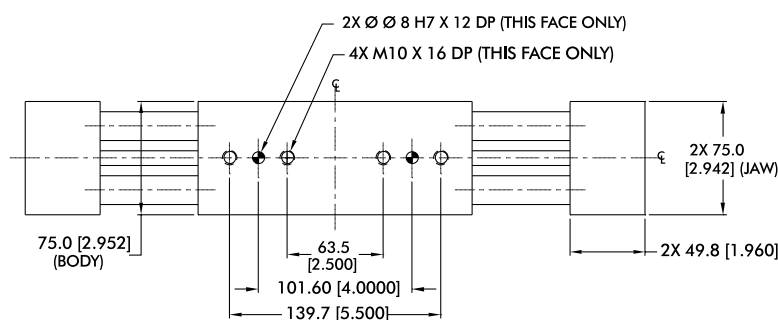
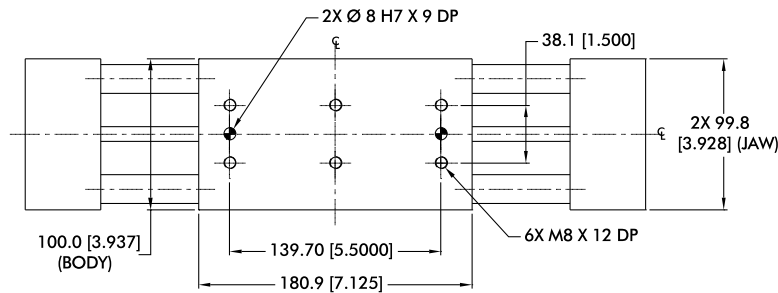
Dimensions and technical information are subject to change without notice

GR-HDP-20



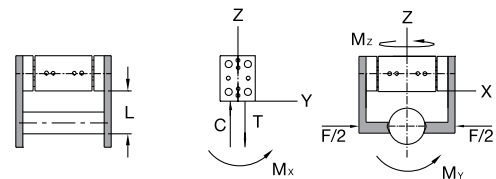
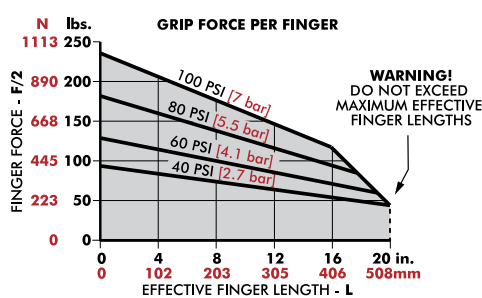
# RPW-750M

## 2-Jaw Heavy-Duty Parallel Grippers | Dimensions and Technical Specifications



Sensor Accessories		750
Inductive Sensor Mtg Kit (2 Sensors)		OSMK-014
Seal Repair Kits		750
Buna-N Seal Repair Kit		SLKT-060
Viton® Seal Repair Kit		SLKT-060V

### Loading Information



RPW-750M	Static	Dynamic
Maximum Tensile <b>T</b>	11121 N [2500 lb]	1112 N [250 lb]
Maximum Compressive <b>C</b>	11121 N [2500 lb]	1112 N [250 lb]
Maximum Moment <b>M<sub>x</sub></b>	226 Nm [2000 in-lb]	22 Nm [200 in-lb]
Maximum Moment <b>M<sub>y</sub></b>	339 Nm [3000 in-lb]	28 Nm [250 in-lb]
Maximum Moment <b>M<sub>x</sub></b>	226 Nm [2000 in-lb]	22 Nm [200 in-lb]

\*Capacities are per set of jaws and are not simultaneous



GR-HDP-21

Dimensions and technical information are subject to change without notice



## RTH SERIES

### 3-Jaw Heavy-Duty Parallel Grippers | Technical Specifications

Specifications	Units	1M	1M-L	2M	2M-L	3M	3M-L	4M	4M-L
Total Rated Grip Force <b>F</b> @ 100 psi [7 bar] w/o Spring Assist	N [lbs]	682 [153]	443 [100]	1238 [278]	812 [183]	2078 [467]	1349 [303]	3644 [819]	2366 [532]
Total Rated Grip Force <b>F</b> @ 100 psi [7 bar] with Spring Assist	N [lbs]	889 [200]	579 [130]	1490 [335]	979 [220]	2627 [591]	1708 [384]	4562 [1026]	2967 [667]
Total Stroke	mm [in]	4 [0.16]	8 [0.32]	6 [0.24]	12 [0.47]	8 [0.31]	16 [0.63]	10 [0.39]	20 [0.79]
Weight	kg [lbs]	0.25 [0.6]		1.2 [0.53]		1.08 [2.4]		1.95 [4.3]	
Pressure Range w/o Spring	bar [psi]	2-7 [30-100]							
Pressure Range with Spring	bar [psi]	4-7 [60-100]				3.5-7 [50-100]		3-7 [45-100]	
Max. Vacuum for Scavenge Port	mm Hg [in Hg]	200 [8]							
Max. Pressure for Purge Port	bar [psi]	2.1 [30]							
Ingress Protection Class (IP)		IP55							
Displacement	cm <sup>3</sup> [in <sup>3</sup> ]	6.5 [0.40]		17 [1.05]		37 [2.30]		80 [4.90]	
Temperature Range (Buna-N seals)	°C [°F]	-35°~80° [-30°~180°]							
Temperature Range (Viton® seals)	°C [°F]	-30°~150° [-20°~300°]							
Actuation (open/close)	sec.	0.06		0.07		0.08		0.1	
Accuracy	mm [in]	±0.04 [±0.002]				±0.06 [±0.0024]			
Repeatability	mm [in]	±0.02 [±0.001]				±0.03 [±0.0012]			
Valve to Actuate Single Acting		3-way, 2-position							
Valve to Actuate Double Acting		4-way, 2-position							

Specifications (cont.)	Units	5M	5M-L	6M	6M-L	7M	7M-L	8M	8M-L
Total Rated Grip Force <b>F</b> @ 100 psi [7 bar] w/o Spring Assist	N [lbs]	6353 [1428]	4125 [927]	10202 [2294]	6629 [1490]	17165 [3859]	11102 [2496]	35288 [7933]	22784 [5122]
Total Rated Grip Force <b>F</b> @ 100 psi [7 bar] with Spring Assist	N [lbs]	7877 [1771]	5124 [1152]	13786 [3099]	8971 [2017]	22093 [4967]	14322 [3222]	44354 [9971]	28690 [6450]
Total Stroke	mm [in]	13 [0.51]	26 [1.02]	16 [0.63]	32 [1.26]	25 [0.98]	50 [1.97]	35 [1.38]	70 [2.76]
Weight	kg [lbs]	3.9 [8.6]		7.89 [17.4]		15.7 [34.6]		43.9 [96.8]	
Pressure Range w/o Spring	bar [psi]	2-7 [30-100]							
Pressure Range with Spring	bar [psi]	3-7 [45-100]		4-7 [55-100]				3.5-7 [50-100]	
Max. Vacuum for Scavenge Port	mm Hg [in Hg]	20 [8]							
Max. Pressure for Purge Port	bar [psi]	2.1 [30]							
Ingress Protection Class (IP)		IP55							
Displacement	cm <sup>3</sup> [in <sup>3</sup> ]	180 [11.0]		355 [22]		940 [57]		2720 [166]	
Temperature Range (Buna-N seals)	°C [°F]	-35°~80° [-30°~180°]							
Temperature Range (Viton® seals)	°C [°F]	-30°~150° [-20°~300°]							
Actuation (open/close)	sec.	0.19		0.236		0.85		1.7	
Accuracy	mm [in]	±0.06 [±0.0024]		±0.08 [±0.0031]		±0.1 [±0.0039]			
Repeatability	mm [in]	±0.03 [±0.0012]		±0.04 [±0.0016]		±0.05 [±0.002]			
Valve to Actuate Single Acting		3-way, 2-position							
Valve to Actuate Double Acting		4-way, 2-position							

Dimensions and technical information are subject to change without notice

GR-3JP-32

